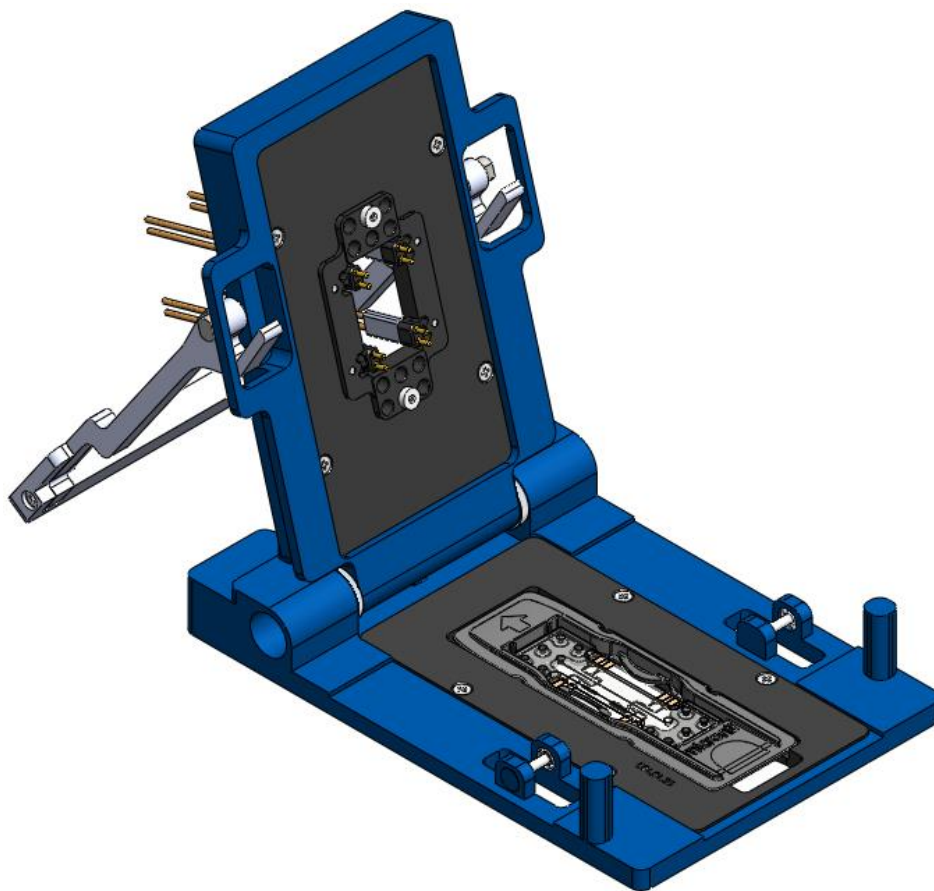


# micronit

## M I C R O F L U I D I C S

### Fluidic Connect Pro Electrical Impedance Spectroscopy

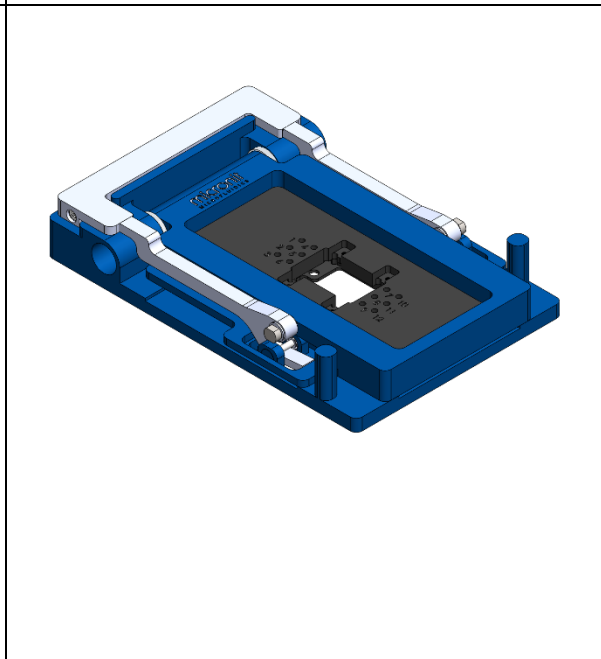
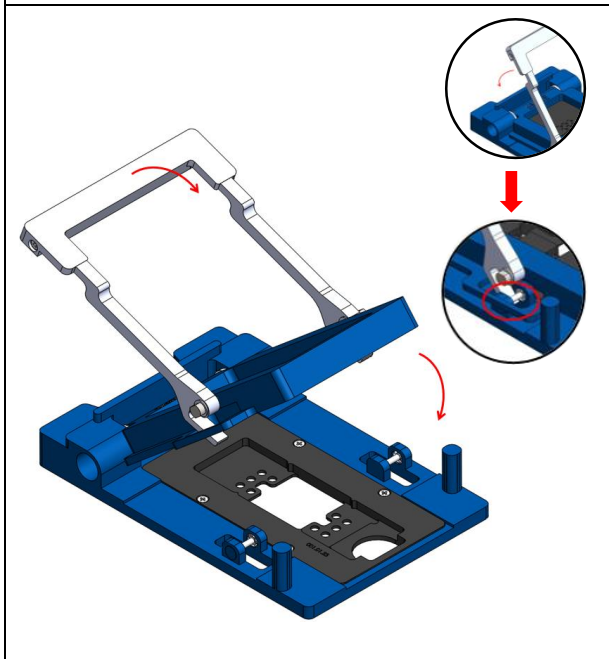
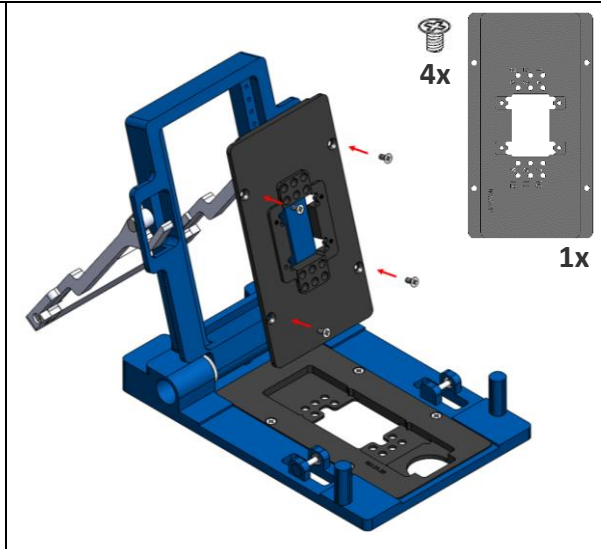
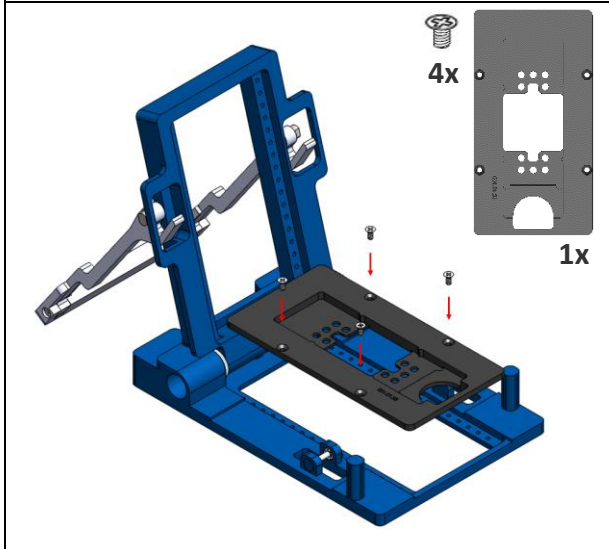
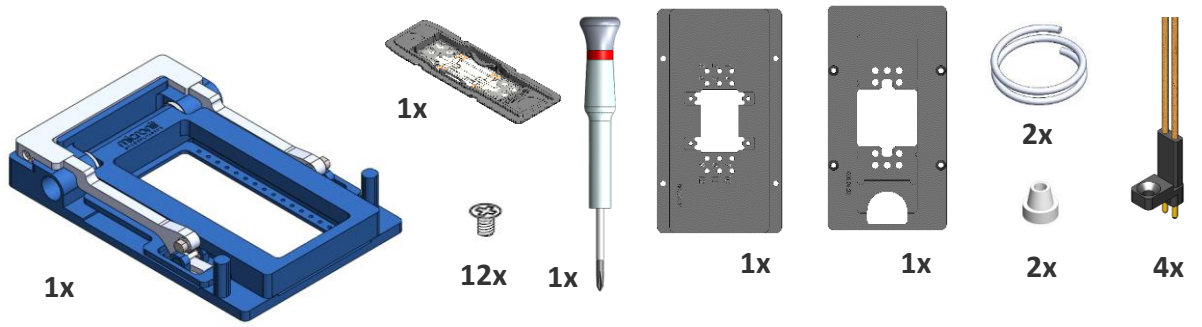
Quick Start Guide v1.0

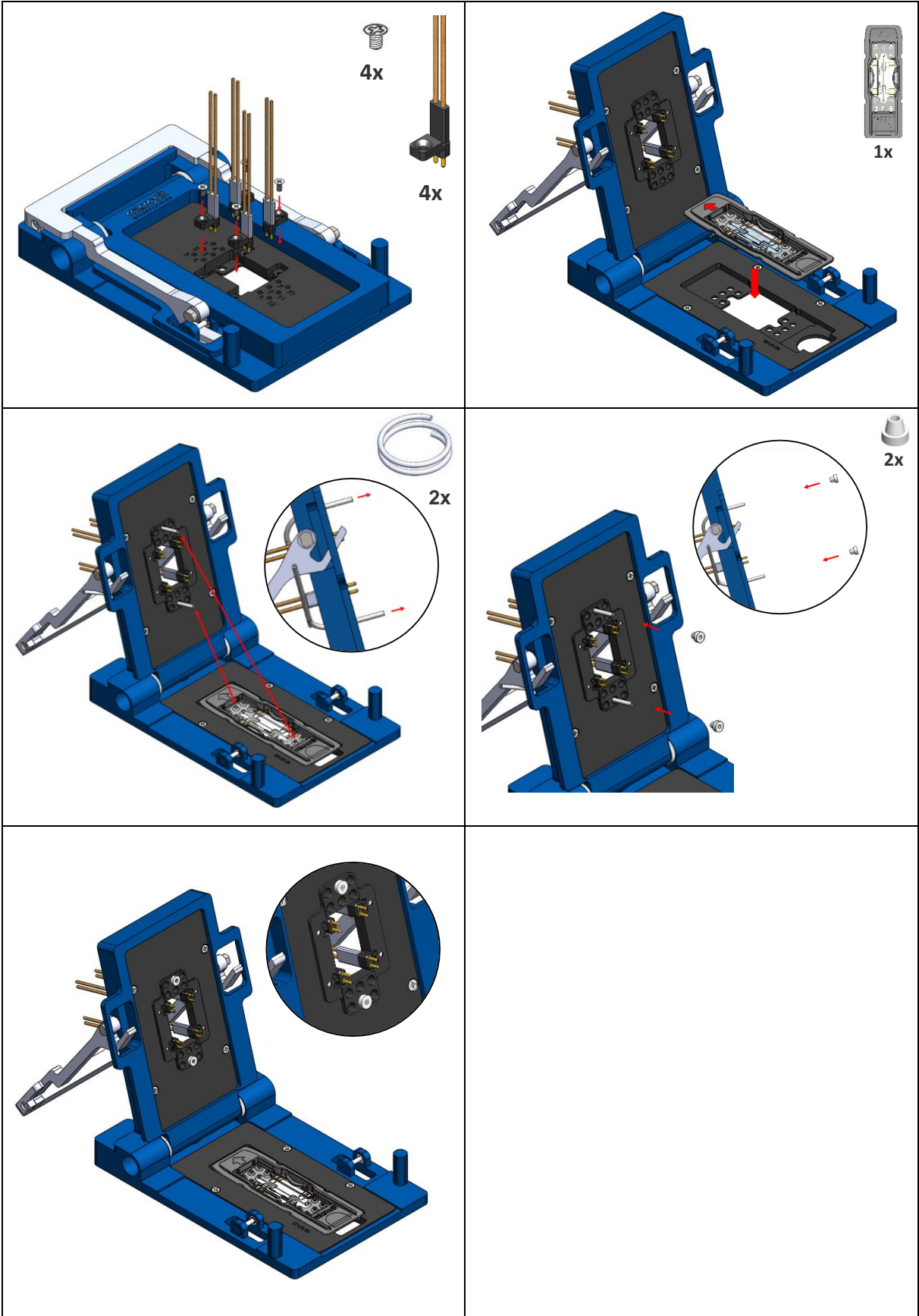


Address Colosseum 15 · 7521 PV Enschede · The Netherlands

Phone +31 53 850 6 850 Fax +31 83 850 6 851 E-mail [info@micronit.com](mailto:info@micronit.com) Internet [www.micronit.com](http://www.micronit.com)

# Assembly of the Fluidic Connect Pro – Electrical Impedance Spectroscopy (EIS)





For more information go to: <http://store.micronit.com/chipholder/fluidic-connect-pro.html>

# micronit

MICROFLUIDICS

Address Colosseum 15 · 7521 PV Enschede · The Netherlands

Phone +31 53 850 6 850 Fax +31 83 850 6 851 E-mail [info@micronit.com](mailto:info@micronit.com) Internet [www.micronit.com](http://www.micronit.com)