

micronit

M I C R O F L U I D I C S

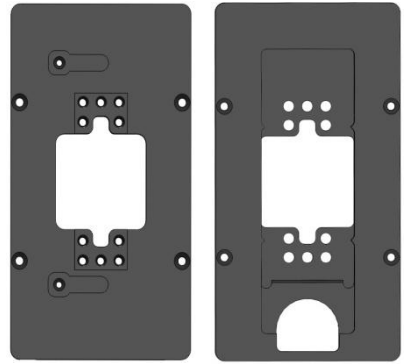
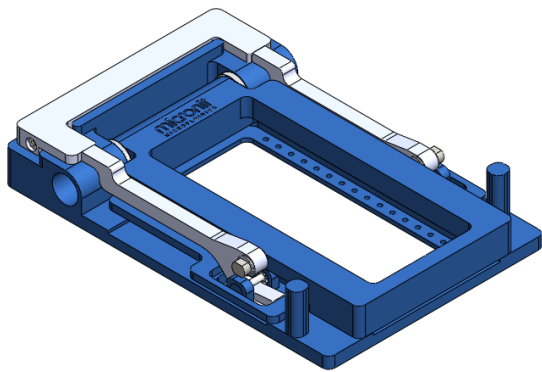
Fluidic Connect Pro

Quick Start Guide v1.2



Address Colosseum 15 · 7521 PV Enschede · The Netherlands
Phone +31 53 850 6 850 Fax +31 83 850 6 851 E-mail info@micronit.com Internet www.micronit.com

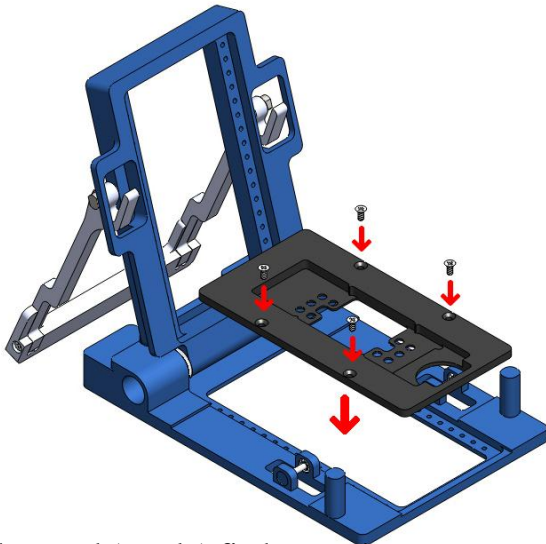
0)



Part list

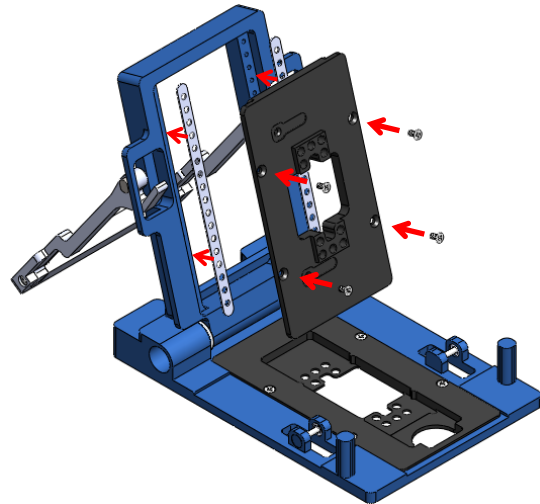


1)



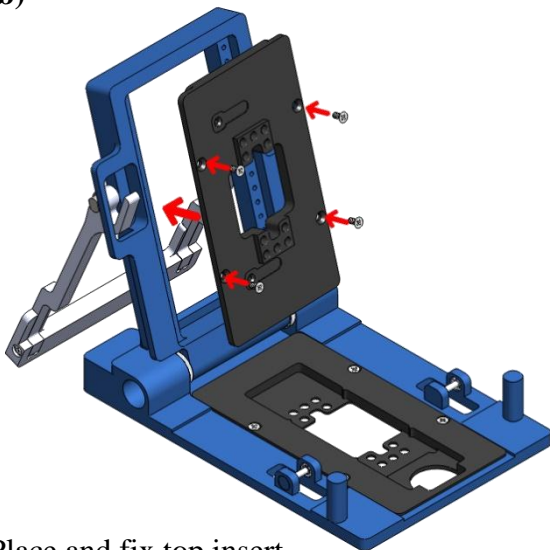
Place and (gently) fix bottom insert

2a) *optional for chips with thicknesses 0.9-1.4mm*



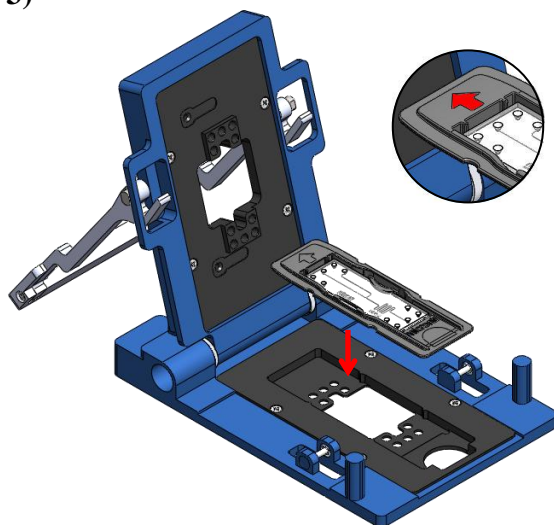
Place and fix spacers and top insert

2b)



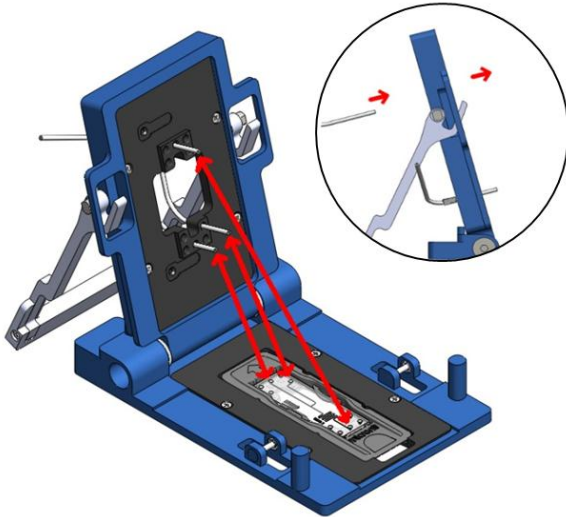
Place and fix top insert

3)



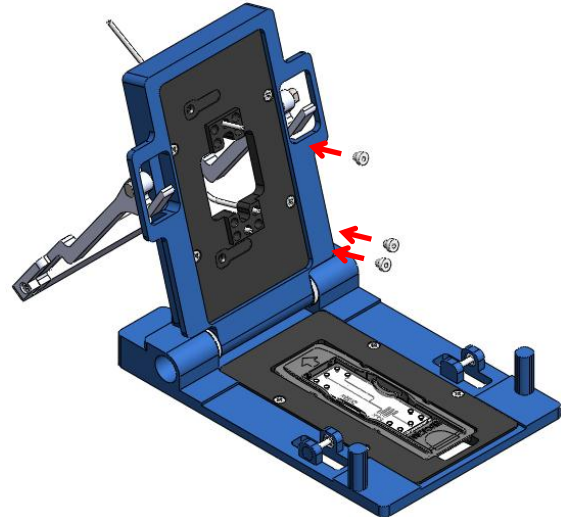
Position Fluidic Slide with microfluidic chip

4)



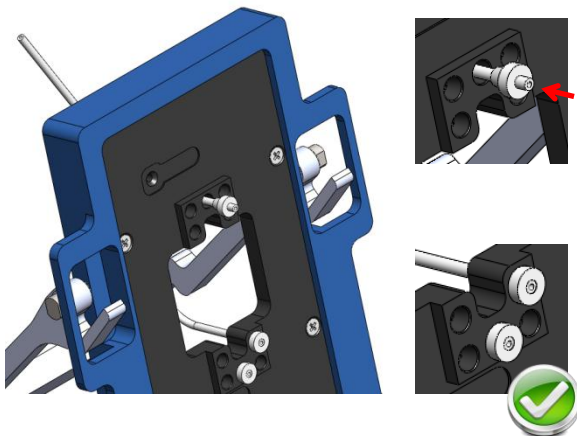
Slide the tubing in from the top side

5)



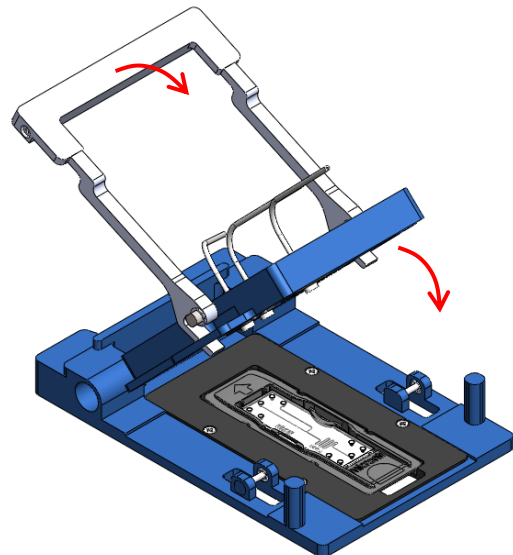
Assemble ferrules onto the tube ends

6)



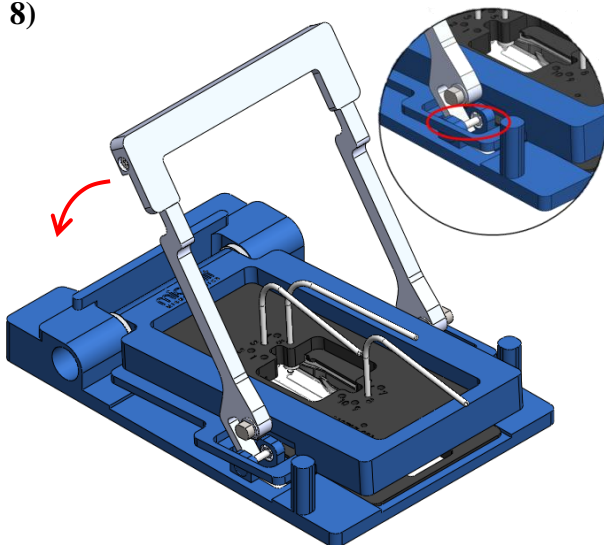
Press the tube with ferrule into the top insert

7)



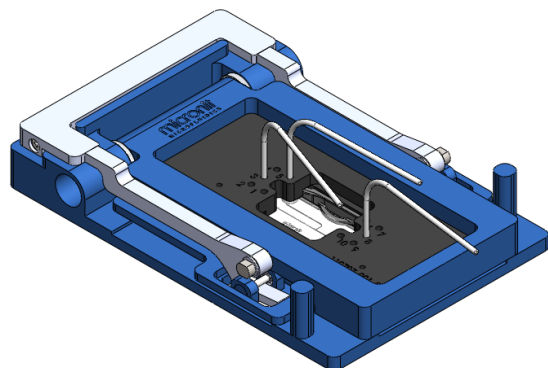
Close the holder using the handle

8)



Fix the assembly using the gripper

9)



Your Fluidic Connect Pro is ready to use

For more information go to: <http://store.micronit.com/chipholder/fluidic-connect-pro.html>

micronit
MICROFLUIDICS

Address Colosseum 15 · 7521 PV Enschede · The Netherlands

Phone +31 53 850 6 850 Fax +31 83 850 6 851 E-mail info@micronit.com Internet www.micronit.com