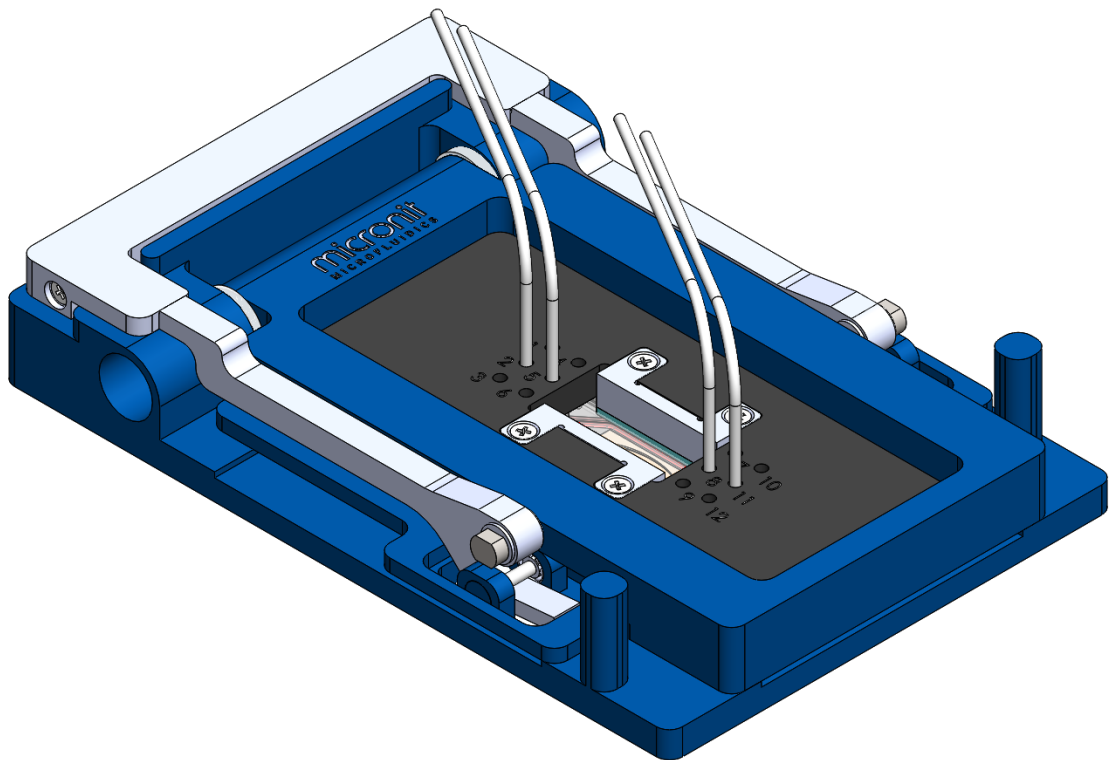


micronit

M I C R O F L U I D I C S





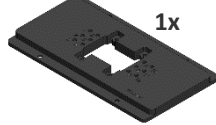
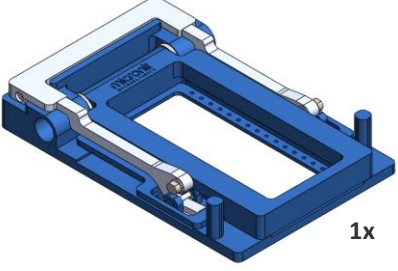

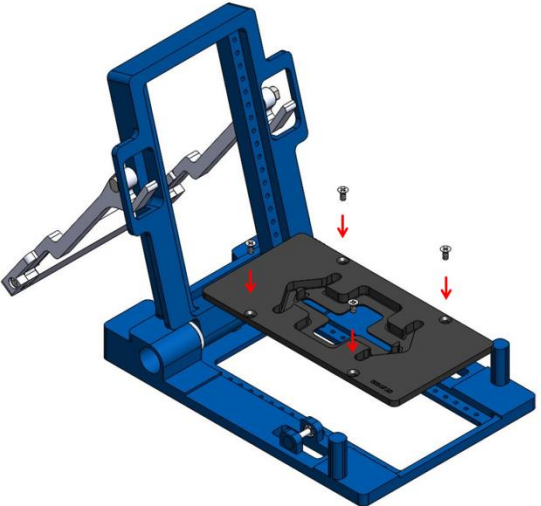
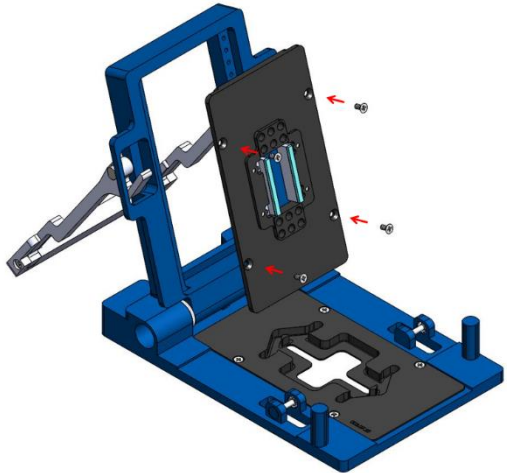
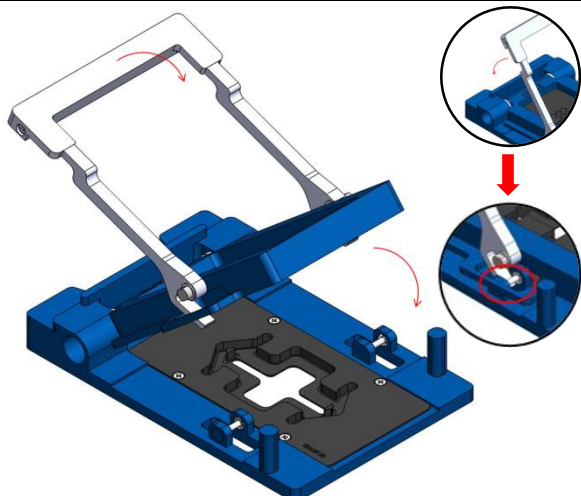
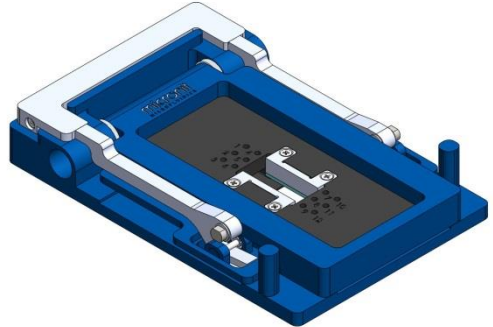
Fluidic Connect Pro Organ-on-a-Chip Quick Start Guide v1.0



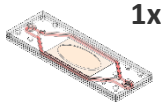
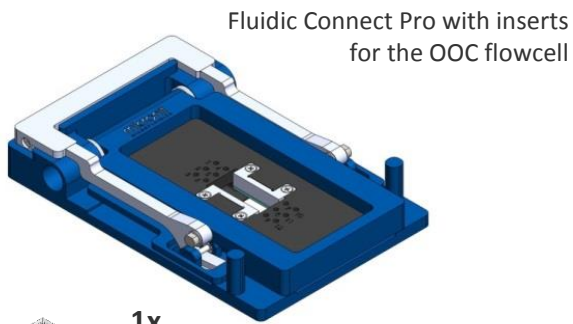
Address Colosseum 15 · 7521 PV Enschede · The Netherlands

Phone +31 53 850 6 850 Fax +31 83 850 6 851 E-mail info@micronit.com Internet www.micronit.com

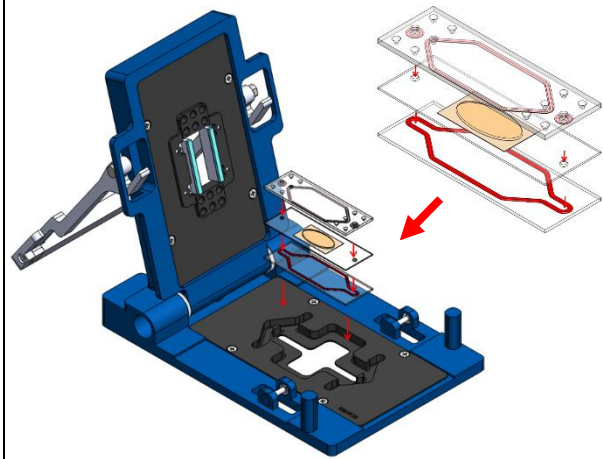
Assembly of the Fluidic Connect Pro – Organ-on-a-Chip (OOC) resealable flowcell 4515

		Inserts for OOC middle layer 0.4 mm	Inserts for OOC middle layer 2.0 mm
 12x  2x	 1x (Top insert 001.04.xx)	 1x (Bottom insert 003.07.xx)	 1x (Top insert 003.08.xx)
 1x	 1x	<p>1) Make sure that the correct inserts are used in relation to the OOC middle layer thickness (see above). Mount the polymer inner-inserts in the top insert.</p>	
	<p>2) Place and fix bottom insert.</p>		
	<p>3) Place and fix top insert (do not use metal spacers).</p>		
	<p>4) Close the holder using the handle and fix the assembly using the gripper.</p>		
		<p>5) Your Fluidic Connect Pro is ready to use (place the chip and assemble the fittings before making fluidic connections).</p>	

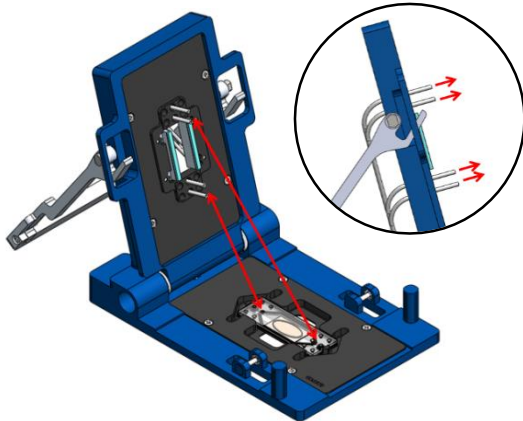
Assembly of the fittings



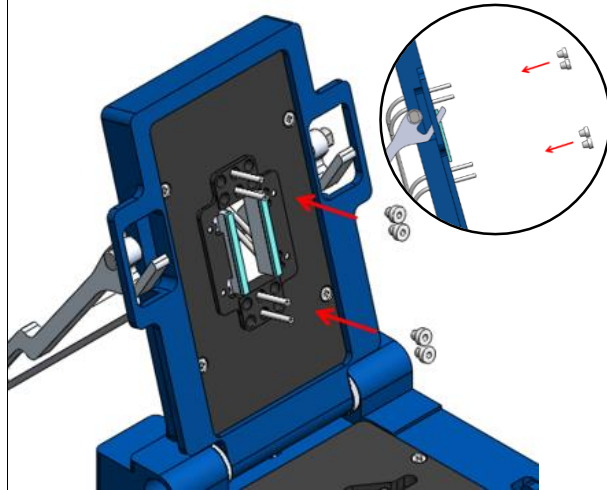
(OOC-flowcell and connections not included)



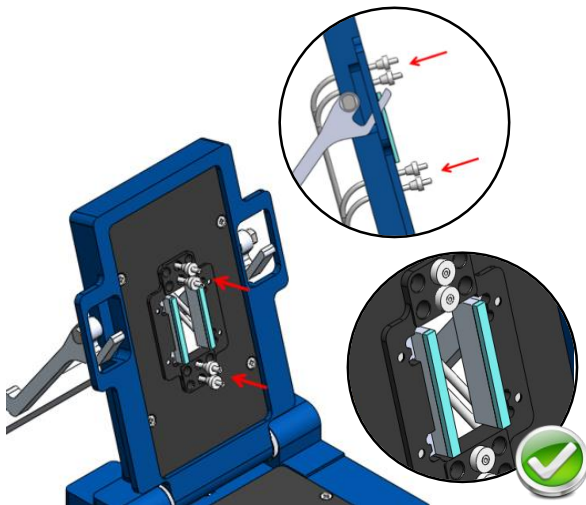
1) Open the Fluidic Connect Pro and place the OOC-flowcell in the Fluidic Connect Pro. Take care that the chip is not tilted in the insert to prevent damage on the chip.



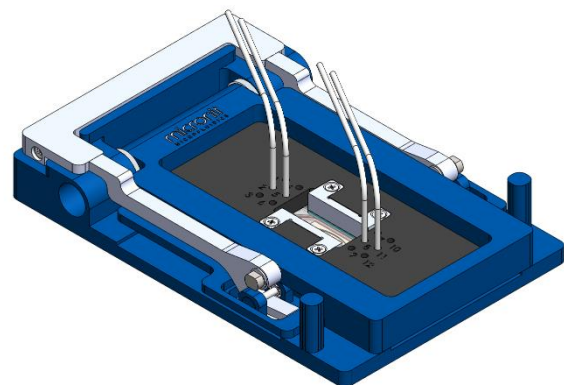
2) Slide the tubing in the correct port through the top insert. Make sure the tubes connect to the right holes on the chip.



3) Slide the ferrules onto the tube ends.



4) Press the tubes with ferrules into the top insert.



5) Close the Fluidic Connect Pro. Your Fluidic Connect Pro is ready to use.

For more information go to: <http://store.micronit.com/chipholder/fluidic-connect-pro.html>

micronit
MICROFLUIDICS

Address Colosseum 15 · 7521 PV Enschede · The Netherlands

Phone +31 53 850 6 850 Fax +31 83 850 6 851 E-mail info@micronit.com Internet www.micronit.com

